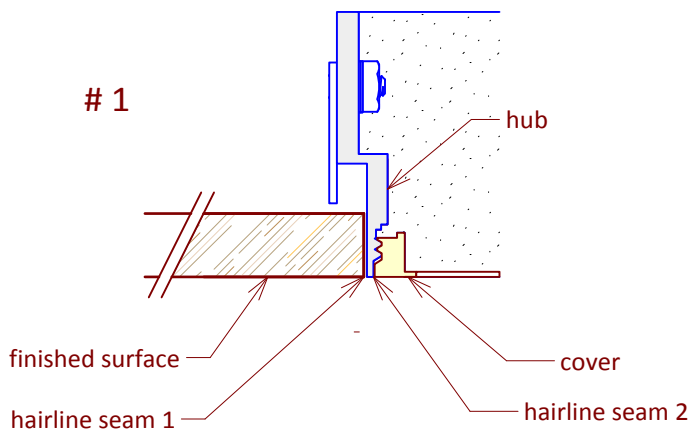
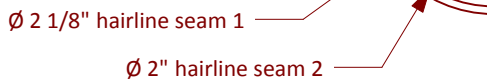


Wood and Stone Edge Detail - Options 1, 2 and 3

1

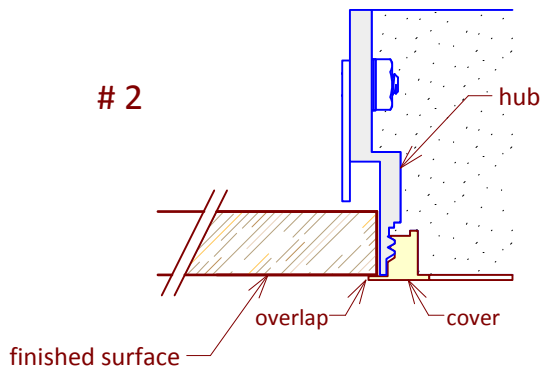


advantage
if surface requires patching
filling or repair, the hub
provides a support
and true edge and can
be finished to match
adjacent surfaces

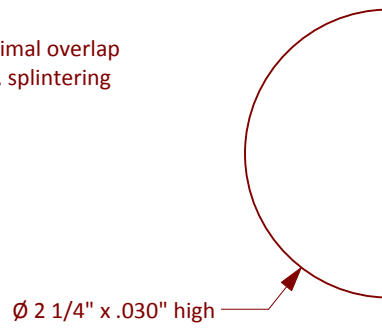


trim option #1
2 hairline seams between the finished surface, hub and cover - all flush and aligned

2

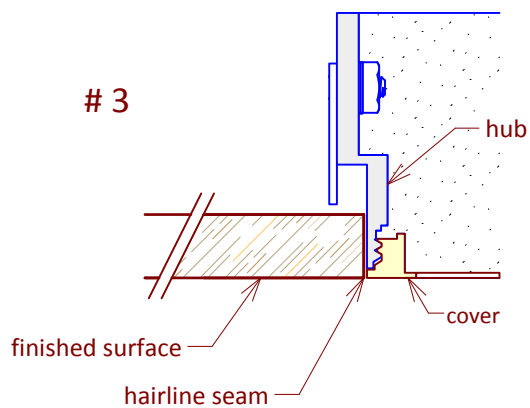


advantage
covers seam with minimal overlap
used to hide chipping, splintering
and rough edges
of a poorly cut hole



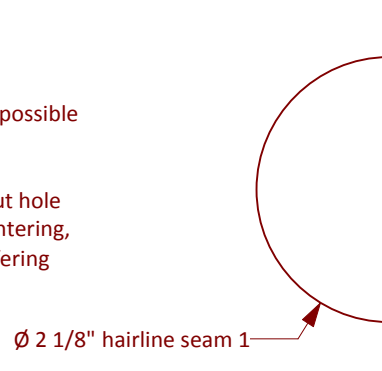
trim option #2
minimal overlap conceals edge of hole - 2.25 inches diameter x 0.03 inches high

3



advantage
one hairline seam
highest level of finish possible

disadvantage
requires a perfectly cut hole
with no chipping, splintering,
rough edges or chamfering



trim option #3
1 hairline seam between the surface and cover flush + aligned

UL Listed - Patent No. 7902459