

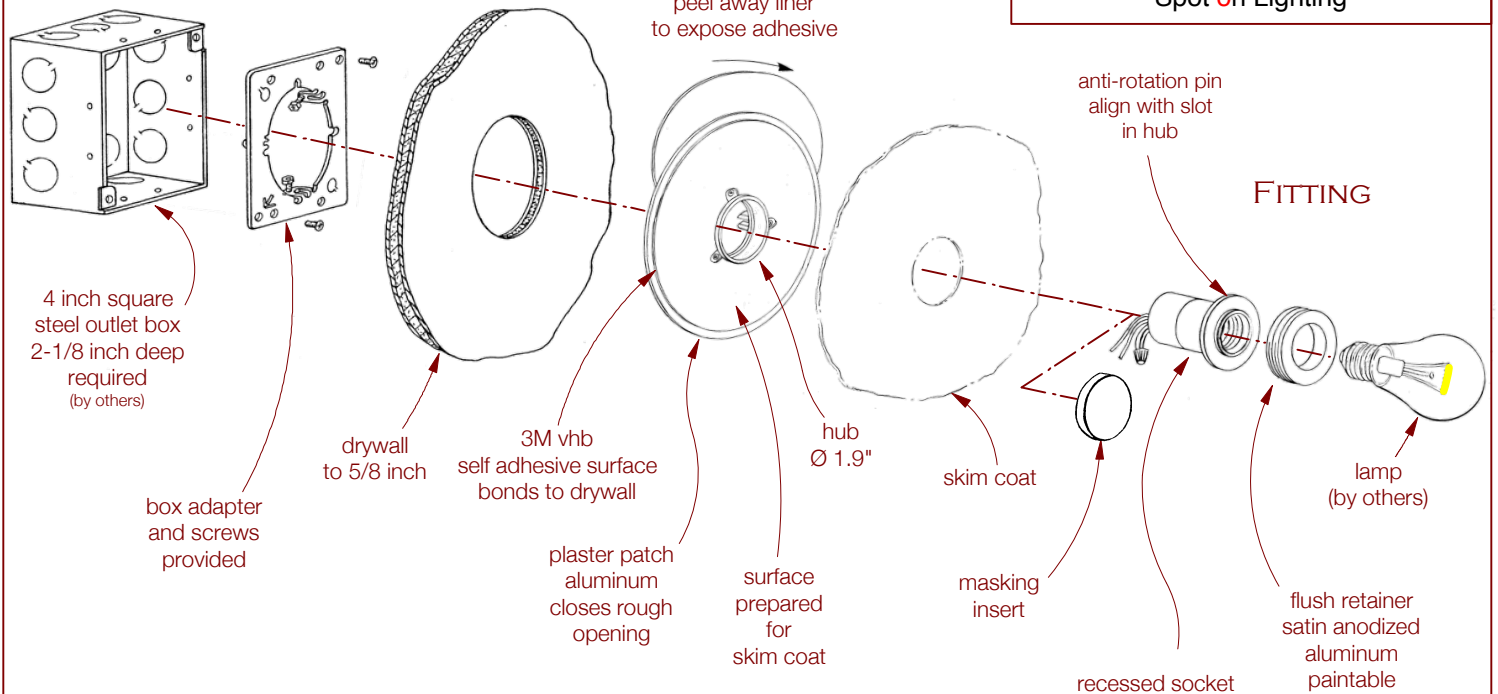


Recessed Socket

model no. RS-1.9

Recessed Socket for Drywall

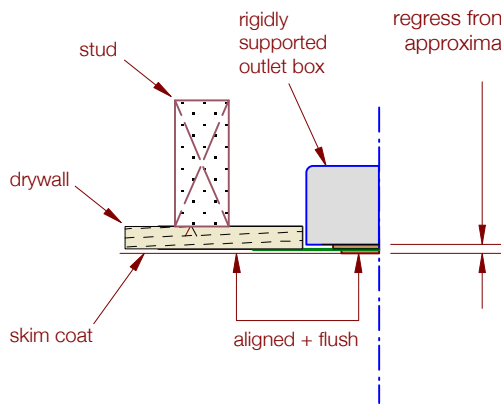
Spot on Lighting



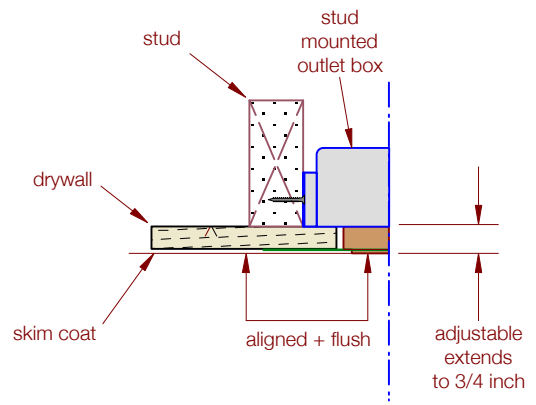
FLUSH OUTLET BOX MOUNTING

Recessed Socket model RS-1.9

no visible canopy - no visible hardware
for all drywall constructions
UL Listed - Patent Pending



cut-in / flush box / old work

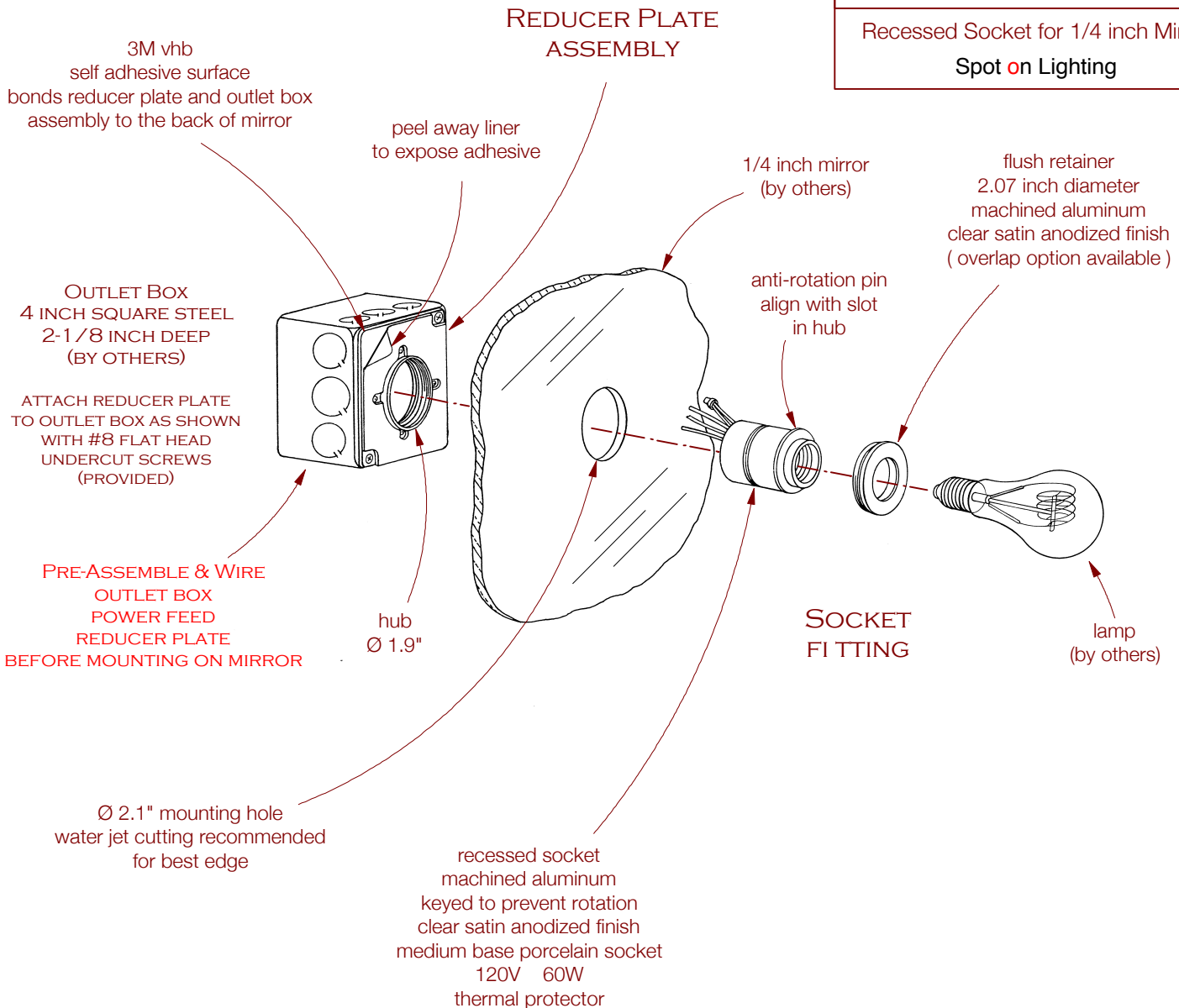


stud mounted box / new construction

mounts to standard 4-inch square steel outlet box - 2-1/8 inch deep box required - rigid support required

model no. RS-M

Recessed Socket for 1/4 inch Mirror
Spot on Lighting



INSTALLATION & COORDINATION

- The reducer plate is bonded to the back of 1/4 inch mirror with 3M vhb structural adhesive tape
 - no other support is needed -
- The mirror needs to be accessible from the rear during installation in order to mount the reducer plate on its back
 - if it is not accessible then the reducer plate can be premounted before the mirror is installed.
- plan wire routing and mirror support carefully so there is no interference between the wiring, the fixture and the building structure - both during and after the mirror installation.
- splices and connections to the branch circuit are accessible and can be inspected from the room.
- 2.2 inch diameter overlap trim available - model no. RS-M-OT

UL Listed
Patent Pending

weight = 1-1/2 lbs

Spot on Lighting

FLUSH OUTLET BOX MOUNTINGS
FOR
DRYWALL - MIRROR - CONCRETE - TILE

SOCKETS

FITTINGS

MONOPOINTS